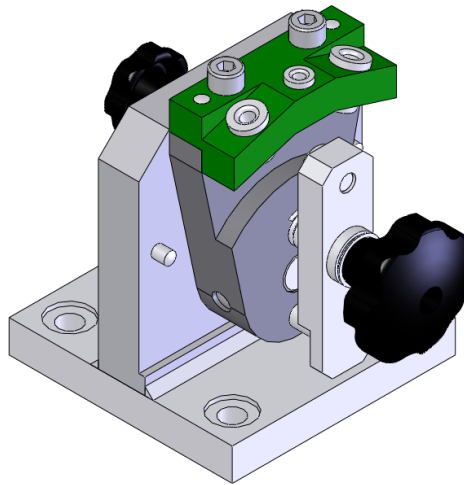


## **INTRODUCTION JIGS AND FIXTURES DESIGN**

Based on ASME Y14.5-2009 and ISO 1101:2012 Standard

- Duration** : 3 days
- Time** : 9:00am – 5:00pm
- Methodology** : Instructor led  
Presentation, exercises and discussion
- Target** : Technician  
Engineer
- Prerequisite** : Technical or engineering background  
GD&T introduction course or equivalent training
- Introduction** : This professional development course provides you the knowledge and the skills in designing and calculating Jigs and Fixtures based on engineering design standards.
- Objective** :
- Understand the PRINCIPLES OF JIGS AND FIXTURES
  - Understand the different aspects for different kind of JIGS AND FIXTURES
  - Able to DESIGN and CALCULATE basic JIGS AND FIXTURES
  - Able to ANALYSE the key points for given CASE STUDIES



**PETALING JAYA**

22A, Jalan PJS 1/46  
46150 Petaling Jaya  
Selangor  
Tel: + 60 3 – 7783 6866  
Fax: + 60 3 – 7781 1185

**PENANG**

68A, Jalan Perai Jaya 4  
13700 Prai  
Penang  
Tel : + 60 4 – 399 5571  
Fax : + 60 4 – 399 5572

**JOHOR**

11-A, Jalan Jati 2,  
Taman Nusa Bestari Jaya  
79150, Johor  
Tel: + 60 7 – 512 7978  
Fax: + 60 7 – 512 2162

## Contents

### 1<sup>st</sup> day: General Theory and Machining Jigs and Fixture

- Principle of tool design
- Standard clamping and fixtures
- Machining Jigs and Fixtures
  - Force calculation
  - Usage of standard systems

### 2<sup>nd</sup> day: General Theory and Machining Jigs and Fixture

- Assembly Jigs and Fixture
  - Ergonomic for assembling parts
  - Cost calculation
- Inspection Jigs and Fixtures
  - Influence of clamping force for inspection and the tolerances
  - Technical aspects of surface and tolerance

### 3<sup>rd</sup> day: Case studies discussion

**PETALING JAYA**

22A, Jalan PJS 1/46  
46150 Petaling Jaya  
Selangor  
Tel: + 60 3 – 7783 6866  
Fax: + 60 3 – 7781 1185

**PENANG**

68A, Jalan Perai Jaya 4  
13700 Prai  
Penang  
Tel : + 60 4 – 399 5571  
Fax : + 60 4 – 399 5572

**JOHOR**

11-A, Jalan Jati 2,  
Taman Nusa Bestari Jaya  
79150, Johor  
Tel: + 60 7 – 512 7978  
Fax: + 60 7 – 512 2162