



CATIA V5 TRAINING – SURFACE REPAIR

Who should attend:

Engineer and designer

Duration:

1 day

Methodology:

Practical hands-on by using CATIA software

Prerequisite:

CATIA Fundamentals

Introduction

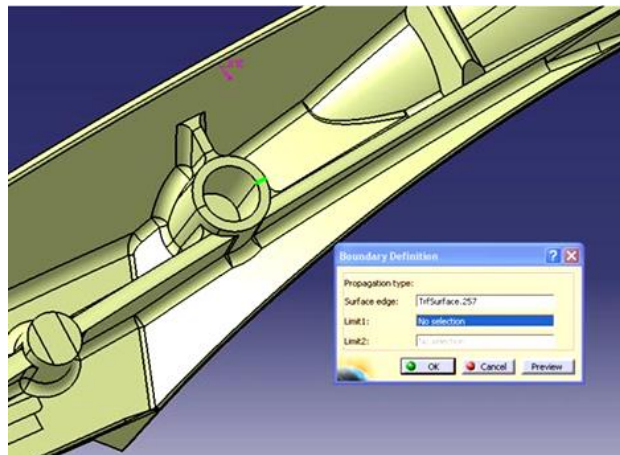
Surface Repairing provides users a fixing tools to heal parts to be used in downstream applications such as manufacturing, analysis or tooling design. This product enable to helps user checking validity of imported data (surfaces or solids) with regard to V5 modeling criteria, and subsequently correcting or improving the topology and the geometry.

Objectives:

- Do Surface Analysis and Repair the imported data
- Perform advanced surfaces analysis and gap correction
- Join the imported data
- Solidify the closed surface
- Understand the mechanism of a multi-model environment including the use of surfaces

Course Outline:

- Introduction to surface repairing
 - Surface manipulation and operation
 - Surface healing and merging
 - Quality checking and correction techniques
- Model Analysis
Closing Join Surface
Master Exercise



MAWEA INDUSTRIES SDN BHD

A member of IME Group of Companies - Certified ISO 9001:20015 QMS

Representative office C-3A-3A Oasis Square, No 2 Jln PJU 1A/7A, Ara Damansara, 47301 PJ, Selangor, Malaysia. +603-7734 2881

Headquarters 30A Jln PJS 1/46, Tmn Petaling Utama, 46000 PJ, Selangor, Malaysia. +603-7783 6866

Penang 68 Jln Perai Jaya 4, Bandar Perai Jaya, 13700 Pulau Pinang, Malaysia. +604-399 5571

Johor 25-01 Jln Bestari 8/2, Tmn Nusa Bestari, 79150 Iskandar Puteri, Johor, Malaysia. +607-238 7978