



# CATIA V5 TRAINING – PRISMATIC MACHINING

## Who should attend:

Engineers, Tool Designers, Drawing Maker, Inspection Personnel

## Duration:

3 days

## Methodology:

Instructor led Presentation, exercises and discussion

(HRDF Claimable under SBL/SBL-KHAS Scheme)

Get discounts for groups of 3 or more.

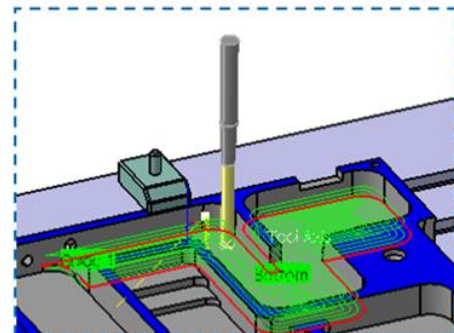
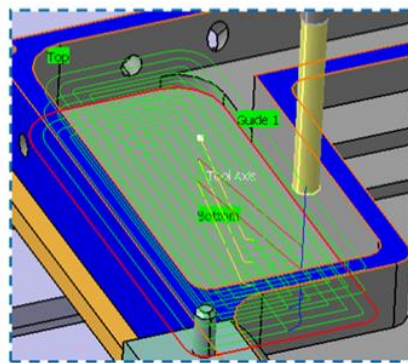
\*Price inclusive of tea breaks and notes.  
 Exclusive of GST.

## Introduction

This course will teach you how to define and manage NC programs dedicated to machining parts using Prismatic Machining techniques in the Prismatic Machining (PMG) workbench. You will learn to create 2.5 Axis Milling operations. You will also learn to use the PMG functionalities for creating Prismatic Machining and Rework Areas.

## Objective

- Identify and use the Prismatic Machining workbench tools.
- Define Prismatic Machining operations (2.5- Axis Milling) in CATIA V5
- .Create Prismatic Machining Area and Rework Area.
- Define and modify NC Macros



## MAWEA INDUSTRIES SDN BHD

A member of IME Group of Companies - Certified ISO 9001:2015 QMS

**Representative office** C-3A-3A Oasis Square, No 2 Jln PJU 1A/7A, Ara Damansara, 47301 PJ, Selangor, Malaysia. +603-7734 2881

**Headquarters** 30A Jln PJS 1/46, Tmn Petaling Utama, 46000 PJ, Selangor, Malaysia. +603-7783 6866

**Penang** 68 Jln Perai Jaya 4, Bandar Perai Jaya, 13700 Pulau Pinang, Malaysia. +604-399 5571

**Johor** 25-01 Jln Bestari 8/2, Tmn Nusa Bestari, 79150 Iskandar Puteri, Johor, Malaysia. +607-238 7978



## Key Topics:

### Day 1

- Identify and use the Manufacturing workbenches' tools
- Create a Manufacturing Program
- Simulate a Manufacturing Program
- Manage Tools and Tool Catalogs
- Define and verify the Tool Path

### Day 2

- Generate NC data using an integrated Post Processor
- Create shop floor documentation
- Manage design changes
- Import V4 data
- Facing
- Pocketing
- 4-Axis Pocketing

### Day 3

- Prismatic Roughing
- Profile contouring
- Groove milling
- Point to point
- Curve following
- Prismatic rework area
- Prismatic machining area
- Transition Paths (macros)

---

## MAWEA INDUSTRIES SDN BHD

A member of IME Group of Companies - Certified ISO 9001:2015 QMS

**Representative office** C-3A-3A Oasis Square, No 2 Jln PJU 1A/7A, Ara Damansara, 47301 PJ, Selangor, Malaysia. +603-7734 2881

**Headquarters** 30A Jln PJS 1/46, Tmn Petaling Utama, 46000 PJ, Selangor, Malaysia. +603-7783 6866

**Penang** 68 Jln Perai Jaya 4, Bandar Perai Jaya, 13700 Pulau Pinang, Malaysia. +604-399 5571

**Johor** 25-01 Jln Bestari 8/2, Tmn Nusa Bestari, 79150 Iskandar Puteri, Johor, Malaysia. +607-238 7978